

HD Vandal- proof Dome IP Camera ZNV-6080 HD-TRP Series

Specifications

This specification applies to ZNV-6080 HD-TRP/(-W)/(-POE)/(-IR)/(ICR)

1.Basic Description

ZNV-6080 HD-TRP series based on IP network,achieve network digital surveillance,transmit clear, smooth video surveillance images.



ZNV-6080 HD-TRP use mega pixels 1/3" CMOS ,use advanced H.264 codec,Max resolution:1920*1080,Excellent low light performance.Use 3D smart noise reduction function,In the low-light environment, reduce noise,ensure the edge of the moving object clear.Supports dual streaming, Transmit high-quality H.264 video in the low-band width network environment smooth , also supports MJPEG compression;Support audio, alarm,infrared night vision,IR-Cut auto switching,provide third-party systems integration interface.

The series uses an integrated Vandal-proof shield,Excellent impact resistance,Applicable to natural environment or human factors need to prevent destruction of the place, such as coal mine,public security, banking, prison. Can be built-in infrared LED, low light or at night black zero illumination conditions can be clearly imaging,It is a good choice that upgrade from analog surveillance to network digital surveillance.

With video surveillance system software platform, can realize different network

environments of large-scale network surveillance.

2.Expand Type

Basic: ZNV-6080 HD-TRP

POE: ZNV-6080 HD-TRP -P

IR: ZNV-6080 HD-TRP -IR

ICR: ZNV-6080 HD-TRP -ICR

WIFI ZNV-6080 HD-TRP -W

POE ,IR: ZNV-6080 HD-TRP - POE-IR

WIFI ,IR: ZNV-6080 HD-TRP -W-IR

POE ,ICR: ZNV-6080 HD-TRP -POE-ICR

WIFI ,ICR: ZNV-6080 HD-TRP -W-ICR

3.Key Features

- ◆ Maximum resolution :1920×1080, output Real-time Full HD 1080P image
- ◆ Excellent low light performance
- ◆ 3D smart noise reduction function
- ◆ 1/3" Progressive Scan CMOS, Capture motion images without jagged
- ◆ Support auto Color/BW mode converting,auto ICR switching
- ◆ Built-in 2.8-12mm zoom lens
- ◆ 21 IR LEDs,IR distance 15m
- ◆ Three-axis adjustable, easy to install construction
- ◆ H.264/MJEG is optional, dual streaming,high compression ratio,and high quality.
- ◆ Support two-way talking
- ◆ Support Micro SDHC storage; SD2.0 standard
- ◆ Support multiple network protocol, adapt to LAN / WIFI
- ◆ Support motion detection, network fault detection and alarm video, image snapping
- ◆ Support 4 area privacy mask

- ◆ Built-in Web server enables the use of a standard Web browser for viewing and management.
- ◆ Vandal- proof shield
- ◆ Power:DC12V/1A
- ◆ Support POE power supply
- ◆ Support ONVIF protocol

4.Applications Scenarios

Suitable for financial, telecommunications, government, schools, airports, factories, hotels, museums, traffic monitoring and other requirements of high-definition picture and Vandal- proof places.

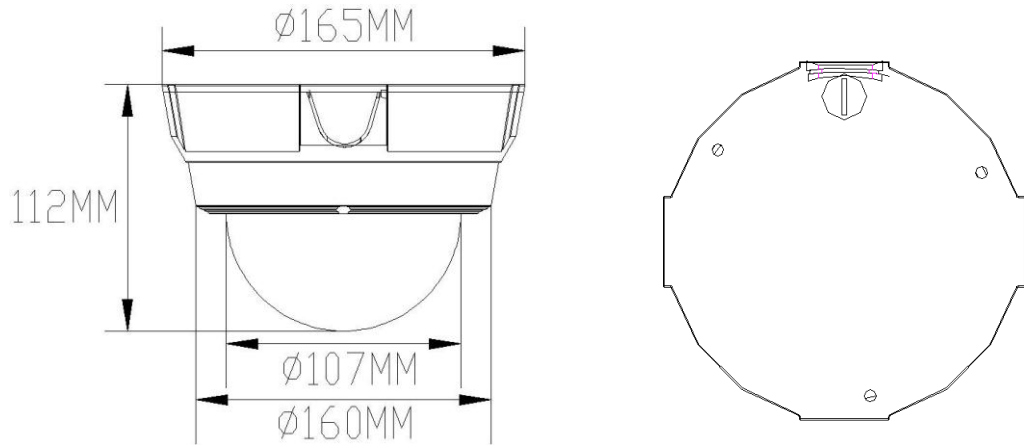
5.Technical parameters

Model		ZNV-6080 HD-TRP(-POE)/(-W)/(-IR)/(ICR)
Hardware		
Network chip	Lan	Realtek 10/100M BASE-TX Self-adapting
Sensor		1/3" Progressive Scan CMOS
Effective Pixels		1920(H)×1080(V)
Min.Illumination		Color Mode:0.1Lux@F1.2;B/W Mode:0Lux @(F1.2,IR ON)
S/N		≥50db(AGC OFF)
Day/night (-ICR)		Auto ,dual IR-Cut filter
IR Parameters(-IR)		21 IR LEDs,IR distance 15m
Auto Electronic Shutter		1/25—1/100000sec,Slow shutter:1/2,1/4,1/8,1/12sec
Interfaces		
Optical lens	Interface s	Φ14
	Lens	Manual zoom
	Focal Length	2.8-12mm
Audio Talkback		1 channel MIC input, External access, 3.5 mm audio interface
Audio Output		1 channel linear output, 3.5 mm audio interface
CVBS video output		1 channel ,BNC connector
Storage Interface		Micro SDHC card supports video storage and image snapping; SD2.0 standard,maximum storage 32G

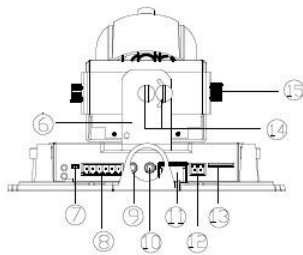
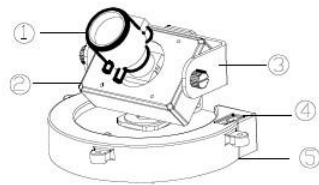
Network Interface	Lan	10/100M BASE-TX,RJ-45 connector
I/O		1-channel input, Normally Open/Normally Close modes adjustable; 1-channel output, 120VAC 1A/24VDC 1A,1 RS232 interface
Audio video encoding		
Video Compression		H.264 Main Profile; MJPEG/JPEG Baseline
Resolution	Master Stream	1920*1080,1-25(30)fps/sec
		1280*960,1-25(30)fps/sec
	Second Stream	1280*720,1-25(30)fps/sec
		640*480,1-25fps/sec
		320*240,1-25fps/sec
		160*112,1-25fps/sec
Video Bitrate		32Kbps~16Mbps,Supports CBR/VBR
Title OSD		Supports channel name, date, and video stream information overlay;OSD location is adjustable
Audio Compression		G.711, G.726,support 32 K stereo
Data transmission and storage		
Data storage		Video and Image
Recording		Recording set up to record by motion trigger,alarm trigger, manual, or schedule
Alarm Output		FTP,E-mail, Explorer, Software
Network protocol		TCP/IP,UDP,RTP,RTSP,RTCP,HTTP,DNS,DDNS,DHCP,FTP,NTP,PPPOE,SMTP,UPNP
Wireless protocols(-W)		802.11b/g,Supports WEP,WPA,WPA2("-w" model supports)
ONVIF protocol		Support
Remote View	Computer	IE 6.0 or up, max 10 user
	Mobile Phone	Windows Mobile,Symbian,iPhone
General Parameters		
Vandal- proof capacity		1 ton impact
Operating Temperature		-10℃ - +55℃
Operating Humidity		0% - 90%
Power		DC12V/POE(IEEE 802.3af)(Optional)
Power Consumption		9W(MAX)
Dimension		112(H) * Φ165mm
Weight		1.5kg

6.Dimension Drawing,interfaces

Dimension Drawing:



Interfaces:



- ①2.8-12mm VARIFOCAL LENS
- ②SENSOR MODULE, VERTICAL ADJUSTING
- ③U BRACKET FOR CLOCKWISE OR COUNTER CLOCK WISE ROTATION
- ④VIDEO OUTPUT
- ⑤PCBA BASE
- ⑥L BRACKET FOR CLOCKWISE OR COUNTER CLOCK WISE ROTATION
- ⑦RESET
- ⑧ALARM IN/OUT, RS232
- ⑨AUDIO OUT
- ⑩AUDIO IN
- ⑪RJ45
- ⑫DC 12V INPUT
- ⑬SD CARD SLOT
- ⑭HOLDING SCREW FOR U BRACKET
- ⑮HOLDING SCREW FOR VERTICAL ADJUSTING

7.Installation Guide

